



LEFROY BROOKS

1 8 2 8 T R O U T M A N S T R E E T
R I D G E W O O D N E W Y O R K N Y 1 1 3 8 5 U S A
T: +1(718) 302 5292 F: +1(718) 302 4177

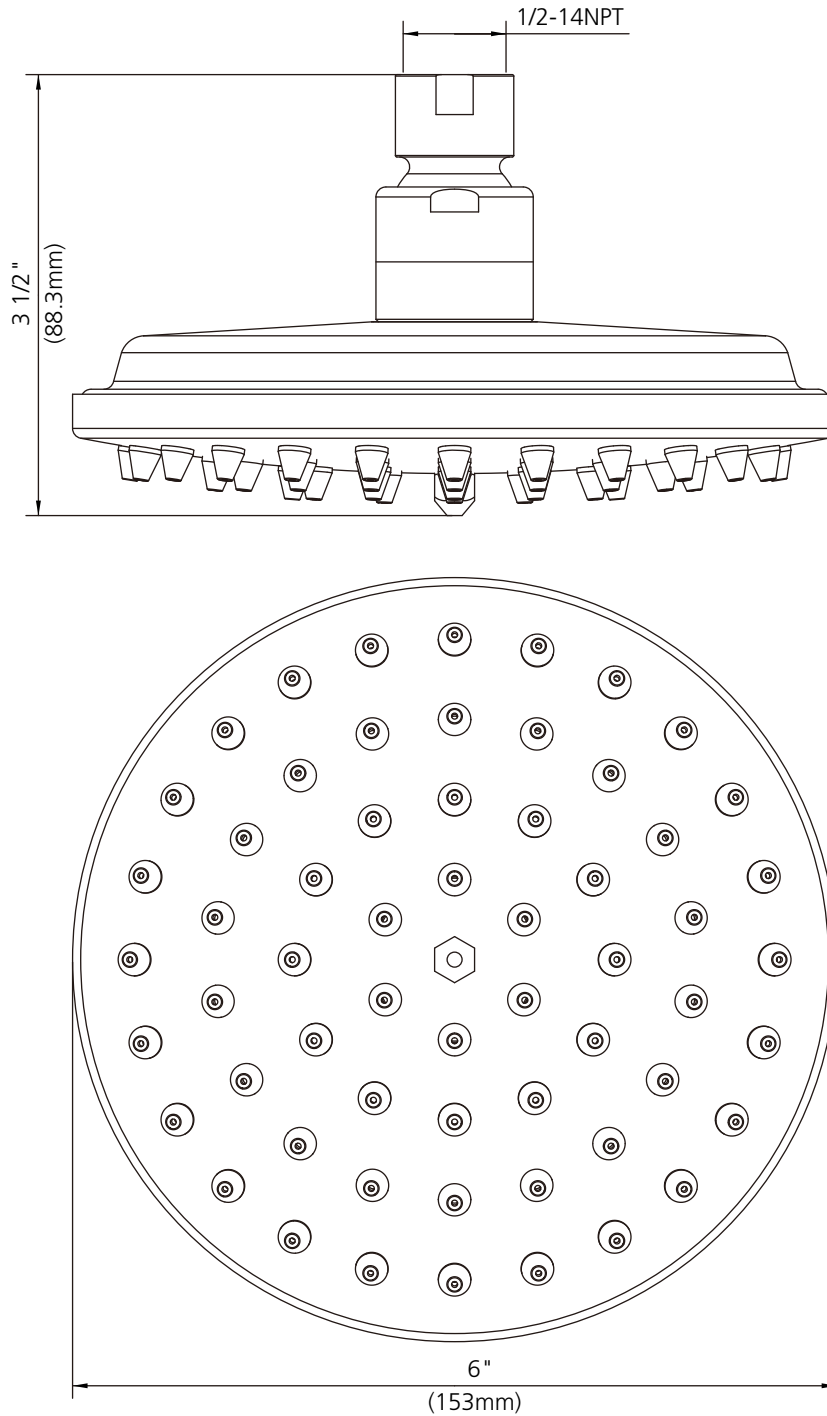
YI-4701

6-INCH WALL SHOWER ROSE

DIMENSIONAL DATA SHEET

DATE: 26 MAY 2014

No: S1115696



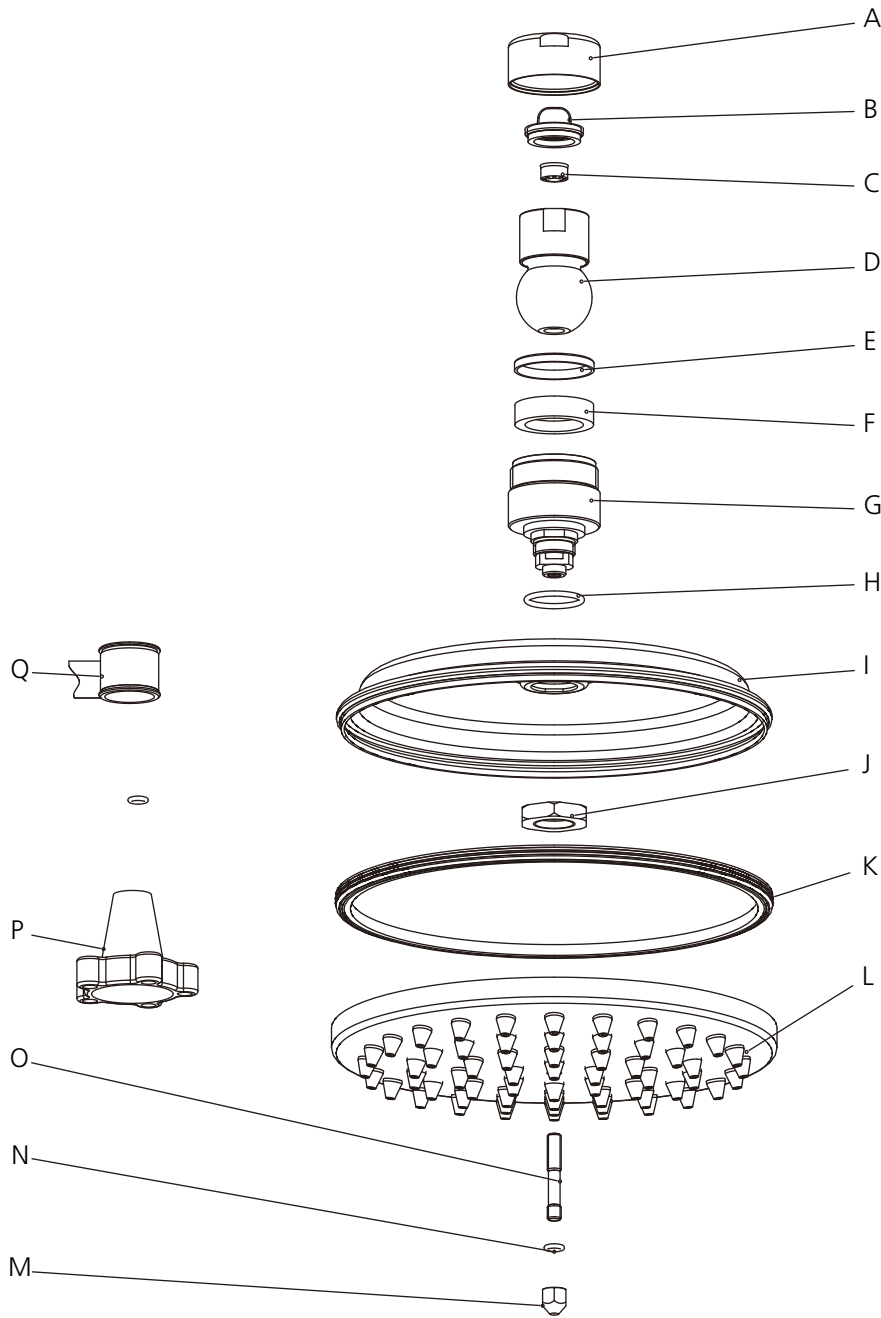
COPYRIGHT © LBIF LTD 2012. ALL RIGHTS RESERVED.

DIMENSIONS IN INCHES & MILLIMETRES

WHILST EVERY EFFORT IS MADE TO ENSURE THE ACCURACY OF THESE DATA SHEETS THEY ARE SUBJECT TO CHANGE WITHOUT NOTICE AS PART OF THE COMPANY'S PRODUCT DEVELOPMENT PROCESS

YI-4701

6-INCH WALL SHOWER ROSE

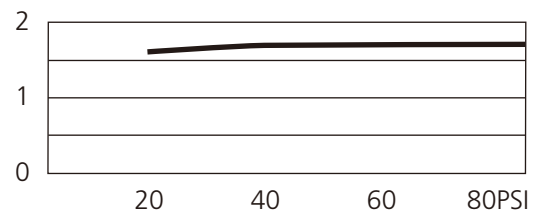


- A Nut (054258)
- B Filter (112383)
- C Restrictor valve (519237)
- D Ball-joint (057861)
- E Washer (060151)
- F Oil-seal (058001)
- G Adaptor (057065)
- H O-ring (004037N)
- I Main body (061083)
- J Nut (054057)
- K Oil-seal (058187)
- L Front plate (112370)
- M Nut (053084)
- N O-ring (004058)
- O Screw (065157)
- P Wrench (031008)
- Q Teflon tape (203000)

Standards

IAPMO/cUPC Listed
Meets A112.18.1

Flow Rate



Please note :

Final achievable flow rate is dependent on the outlets fitted, see relevant outlets (spouts, roses, sprays) for fully assembled product flow rate.